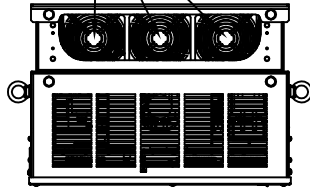
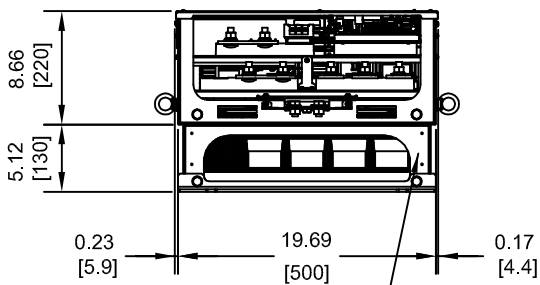
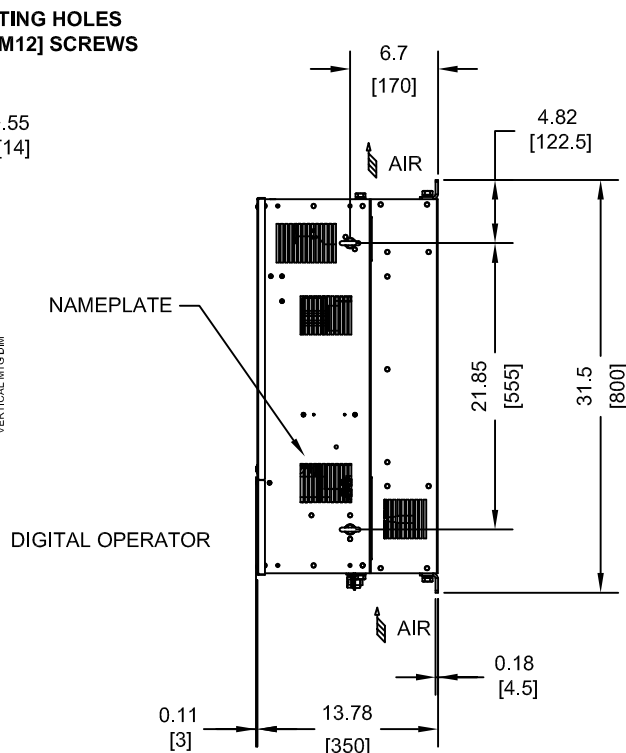
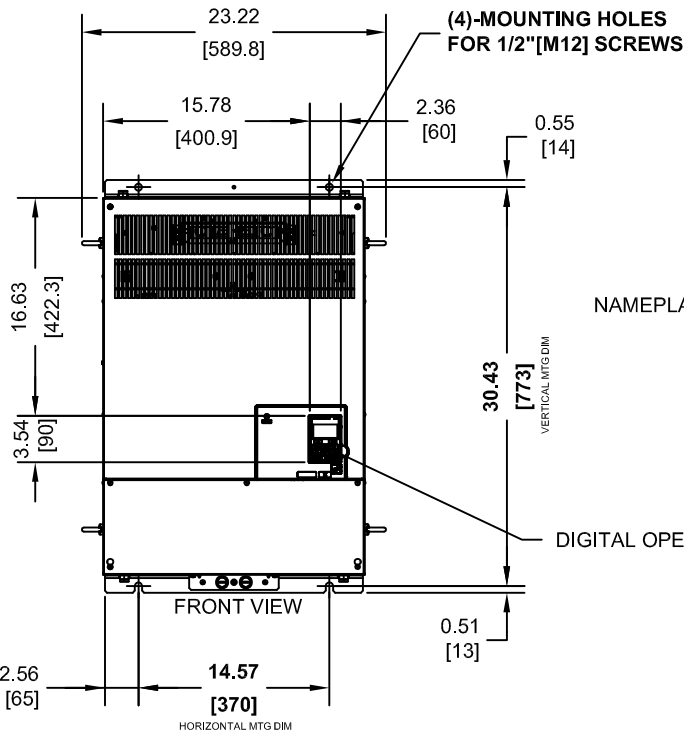
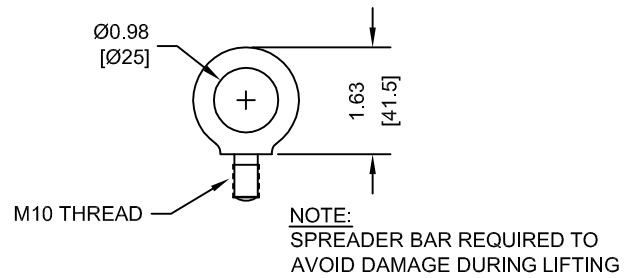


(3) EXTERNAL COOLING FANS  
NOTE: MODEL 2A0105AAA HAS (2) FANS



LIFTING AND EYEBOLT DETAILS



OPTIONAL CAPACITOR COVER  
WHEN USING AN EXTERNAL MOUNT HEATSINK, UL COMPLIANCE REQUIRES COVERING EXPOSED CAPACITORS IN THE MAIN CIRCUIT TO PREVENT INJURY. CONSULT MANUAL FOR DETAILS.

MODEL # CIMR-RU	VOLTAGE THREE-PHASE (VAC)	OUTPUT CAPACITY (kW)	WEIGHT LBS (Kg)	HEAT LOSS (W)		
				INT	EXT	TOT
2A0105AXX	200/240	105	178 (81)	365	910	1275
4A0210AXX	380/480	210	189 (86)	532	1193	1725
4A0300AXX		300	191 (87)	630	1534	2164

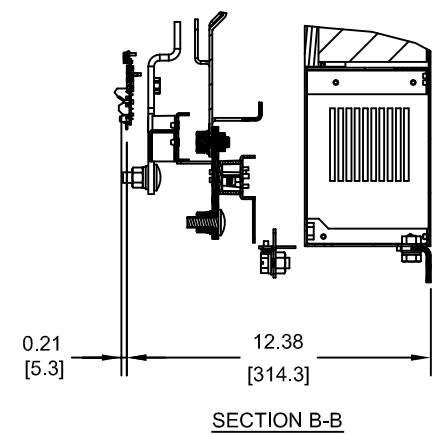
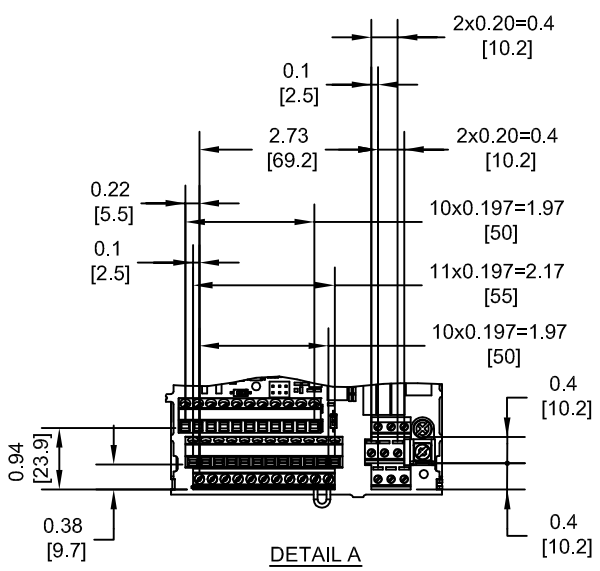
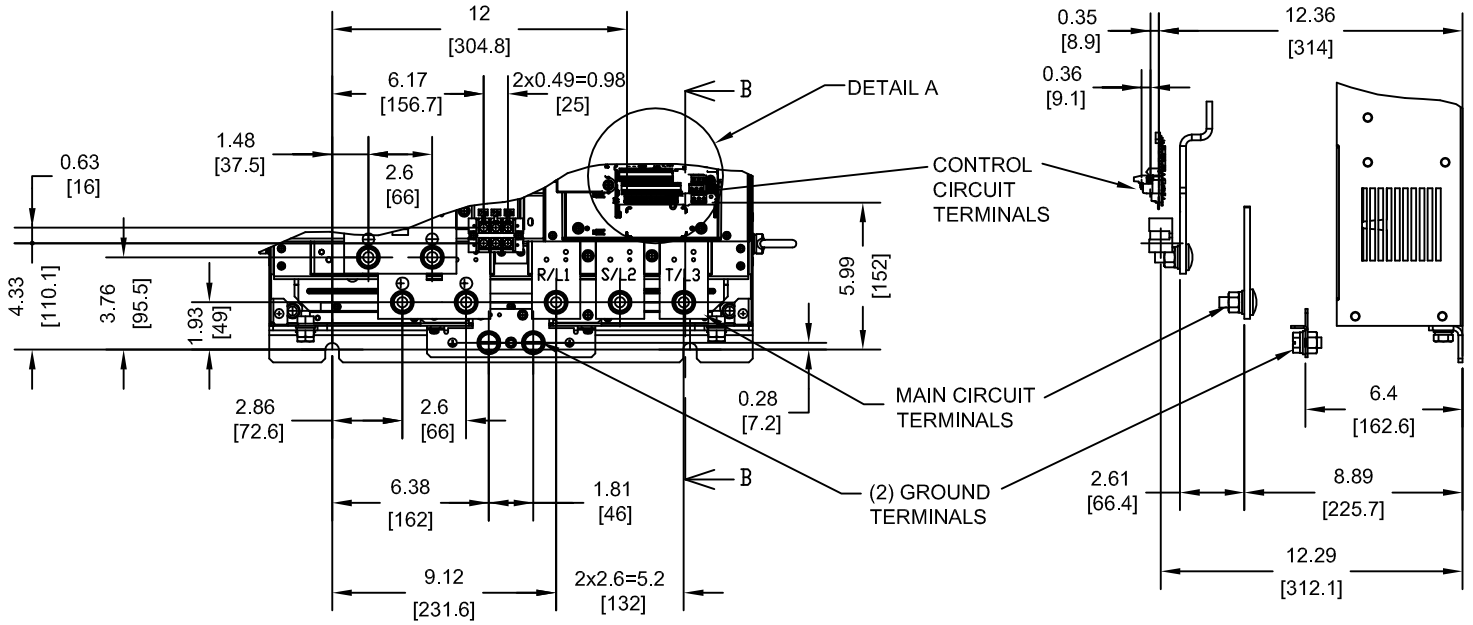
NOTE:  
XX DENOTES AA-ZZ

INT=INTERNAL COMPONENTS  
EXT=EXTERNAL HEATSINK  
TOT=TOTAL

FOR ADDITIONAL DETAILS AND SPECIFICATIONS, CONSULT MANUAL

TOLERANCES / REFERENCES:			DRAWN: J. MATTAS DATE: 9-3-14	TITLE: R1000 DIMENSION DRAWING FRAME SIZE 7 IP00 ENCLOSURE 2A0105A, 4A0210A & 4A300A
			CHECKED: J. PIOTROWSKI DATE: 10-7-14	SIZE: A REVISION: R00 PAGE: 1 of 3
		THIS DOCUMENT AND INFORMATION CONTAINED IN IT ARE CONFIDENTIAL, AND CANNOT BE COPIED OR DISCLOSED IN WHOLE OR IN PART WITHOUT THE EXPRESS WRITTEN CONSENT OF YASKAWA AMERICA, INC.	TECH: J. BORJA DATE: 9-22-14	
UNITS: IN[mm]	SCALE: 1:15		APPROVED: J. CAIRO DATE: 11-18-14	DRAWING #: DD.R1K.FR7.IP00
			ORIGINAL DESIGN:	

TERMINAL AND WIRING DETAILS (SCALE 1:8)



TERMINAL AND WIRE SPECIFICATIONS FOR MAIN CIRCUIT AND GROUND

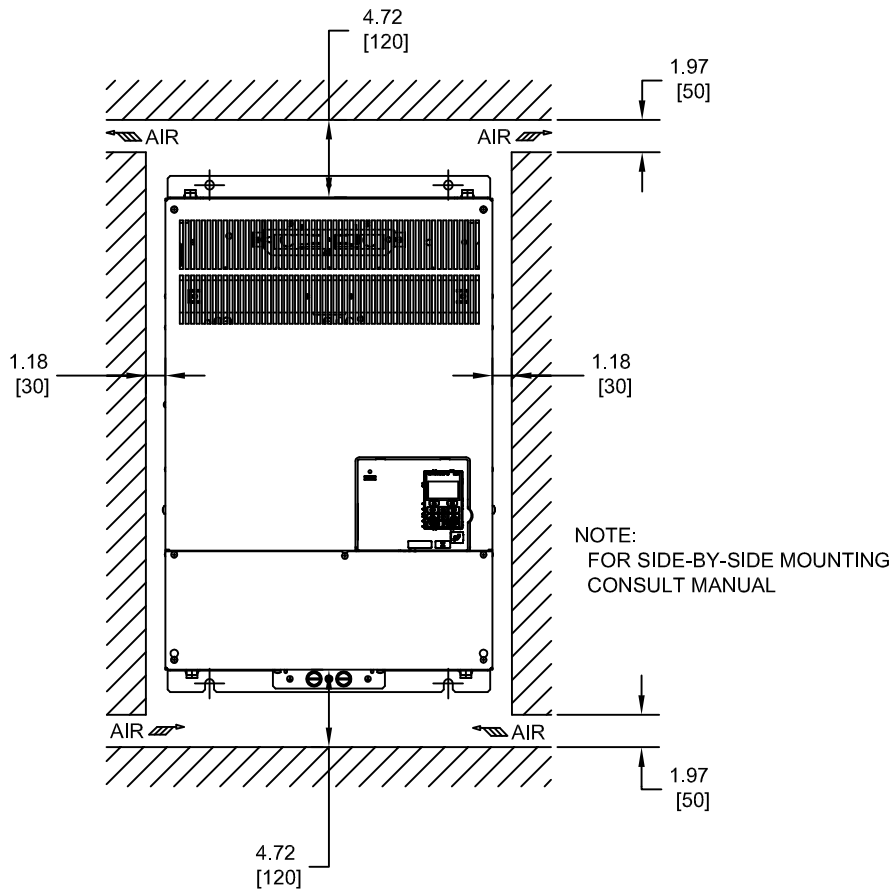
MODEL # CIMR-RU	TERMINAL SYMBOL	TERMINAL SCREW	CLAMPING TORQUE lb.in.(N.m)
2A0105A 4A0210A 4A0300A	R/L1, S/L2, T/L3, ⊕, ⊕	M12	283 TO 354 (32 TO 40)
	r1/211, s1/221, t1/231	M4	9.7 TO 10.6 (1.1 TO 1.2)
	⊕	M12	283 TO 354 (32 TO 40)

NOTE: REFER TO APPLICABLE CODES FOR PROPER WIRE TYPE AND SIZE

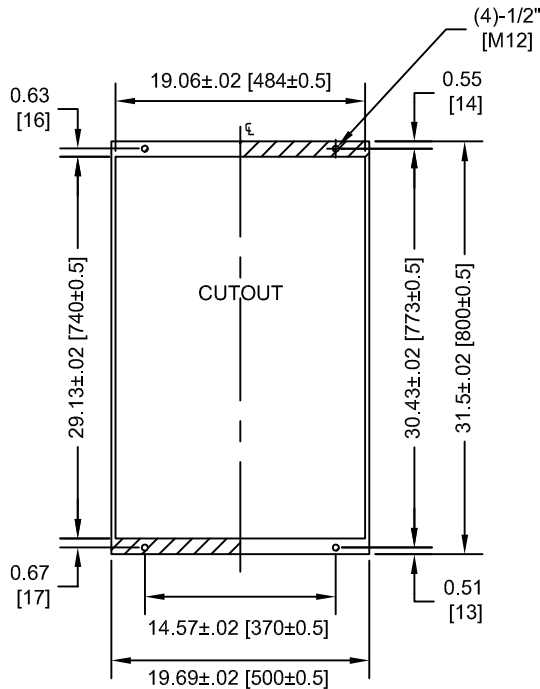
FOR ADDITIONAL DETAILS AND SPECIFICATIONS, CONSULT MANUAL

TOLERANCES / REFERENCES:		<p>THIS DOCUMENT AND INFORMATION CONTAINED IN IT ARE CONFIDENTIAL, AND CANNOT BE COPIED OR DISCLOSED IN WHOLE OR IN PART WITHOUT THE EXPRESS WRITTEN CONSENT OF YASKAWA AMERICA, INC.</p>	DRAWN: J. MATTAS CHECKED: J. PIOTROWSKI TECH: J. BORJA APPROVED: J. CAIRO ORIGINAL DESIGN: -	DATE: 9-3-14 DATE: 10-7-14 DATE: 9-22-14 DATE: 11-18-14 DATE: -	TITLE: R1000 DIMENSION DRAWING FRAME SIZE 7 IP00 ENCLOSURE 2A0105A, 4A0210A & 4A300A
UNITS: IN[mm]	SCALE: BY VIEW		SIZE A	REVISION R00	PAGE 2 of 3
			DRAWING #: <b>DD.R1K.FR7.IP00</b>		

MINIMUM INSTALLATION CLEARANCES (SCALE 1:12)



PANEL CUTOUT FOR EXTERNAL HEATSINK MOUNTING CONFIGURATION (SCALE 1:15)



NOTE:  
EXPOSED HEATSINK DEPTH  
D=5.12" MINUS PANEL THICKNESS

FOR ADDITIONAL DETAILS AND SPECIFICATIONS, CONSULT MANUAL

TOLERANCES / REFERENCES:			DRAWN: J. MATTAS CHECKED: J. PIOTROWSKI TECH: J. BORJA APPROVED: J. CAIRO ORIGINAL DESIGN: -	DATE: 9-3-14 DATE: 10-7-14 DATE: 9-22-14 DATE: 11-18-14 DATE: -	TITLE: R1000 DIMENSION DRAWING FRAME SIZE 7 IP00 ENCLOSURE 2A0105A, 4A0210A & 4A300A
UNITS: IN[mm]	SCALE: BY VIEW		THIS DOCUMENT AND INFORMATION CONTAINED IN IT ARE CONFIDENTIAL, AND CANNOT BE COPIED OR DISCLOSED IN WHOLE OR IN PART WITHOUT THE EXPRESS WRITTEN CONSENT OF YASKAWA AMERICA, INC.	SIZE: A REVISION: R00 PAGE: 3 of 3	DRAWING #: <b>DD.R1K.FR7.IP00</b>